

VL-CONF-4 FOUR PORT CONFERENCE BRIDGE

INTRODUCTION

When used with Valcom VoIP FXS and Quad Enhanced Audio gateways, the VL-CONF-4 four port conference bridge allows conferencing of up to 4 POTS telephones. Two conference bridges may be connected together allowing eight users in conference. Applications include airport crash systems, hospital trauma centers and municipalities for first responders.



SPECIFICATIONS

Features

- 4 Audio Inputs
- RJ-45 jack for audio input connections
- Main or Expansion Slide Switch
- Operates on 24VDC

Dimensions/Weight

- 1.75" H x 6.75" W x 9.5" D
(4.45cm H x 17.15cm W x 24.13cm D)
- Weight: 1.75 lbs. (0.80 kg)

Nominal Power Requirements

Via back panel barrel connector:

Voltage: 24VDC
Current: 50mA

Environment

Temperature: 0 to +40° C
Humidity: 0 to 85% non-precipitating

Packing List

Qty	Item
1	VL-CONF-4
1	VSP Document
2	Mounting Brackets W/ Hardware
4	Rubber Pads
4	RJ-45 Patch Cables

INSTALLATION

Mounting

The VL-CONF-4 is designed for wall, table or rack mounting.

Table: Provided with the VL-CONF-4 are four rubber pads. Peel the pads from their carrier backing and place at the four corners of the bottom of the unit.

Wall: Using the template on last page of this document, mark the location of the bracket screw holes on the wall. Drill 5/64" pilot holes, 3/4" deep, at each screw location and use the wood screws provided to attach the brackets to the wall. For surfaces other than wood, use hardware appropriate for the surface (not included). With the brackets securely attached to the wall, attach the VL-CONF-4 to the brackets using the included hardware. Figure 2 illustrates the bracket assembly.

Rack: Following the assembly drawing, attach the two mounting brackets to the VL-CONF-4 unit. Using rack screws, mount the VL-CONF-4 in an available 1U rack slot. See Figure 1.

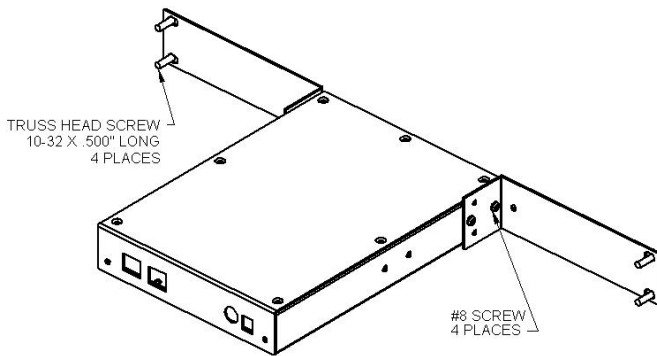


Figure 1. Rack Mount

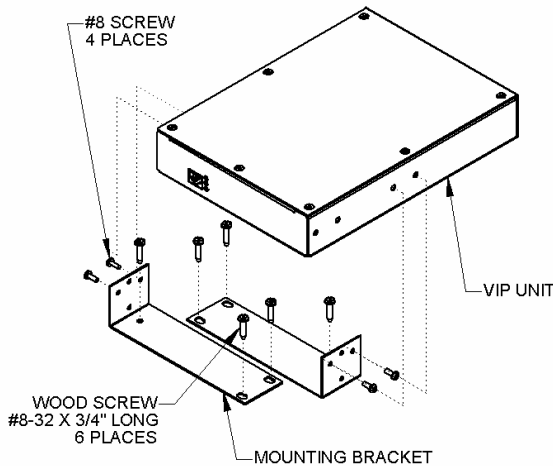


Figure 2. Wall Mount

Signal Connections

The VL-CONF-4 has seven connections:

- 1 RCA jack for connecting an expansion VL-CONF-4
- 4 RJ-45 connectors for audio and relay connections to the VIP-804
- 2 RJ-45 connectors for Expansion IN and OUT

Attach the unit to the VIP-804 RJ 45 audio outputs connectors via the back panel (4) RJ-45 connectors using the included patch cables **Figure 3**.

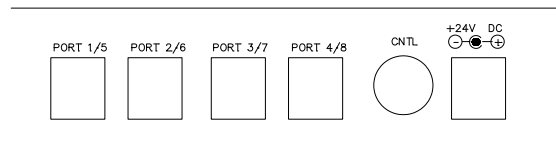
Power Connections

The rear panel barrel connector is used for power; the preferred power supply is a Valcom VIP-324D.

Make all required connections before applying power to the unit via the barrel connector making sure all connections are secure.

Expansion I/O: When expanding the system from four circuits to eight the expansion jacks are used. Set the toggle switch on one for the units to main. On the second unit set the toggle switch to expansion. Using a RJ45 patch cable connect "Expansion Out" on the main unit to "Expansion In" on the expansion unit. Using a second patch cable connect "Expansion Out" on the expansion unit to "Expansion In" on the main unit. **Figure 4**.

Control Input: When two conference bridges are used connect an audio patch cable with male phono connectors between the conference bridges.



Rear View

Setup

Information specific to your application will need to be programmed into the gateways and audio ports using a computer. The PC used for programming should be connected to the same subnet as the Valcom gateways and audio ports. Setup will be done using the IP Solutions Setup Tool. Download the latest version of the free IP Solutions Setup Tool from the Valcom web site at www.valcom.com/vipsetuptool.

OPERATION

Port 1 of the conference bridge is the activation port. The initial user lifts the handset on a conference telephone. At that time the remaining telephones on the bridge begin to ring. When the telephones are answered the users are connected together in a conference call. When a user hangs up from the conference call they cannot rejoin the call.

TECHNICAL ASSISTANCE

When trouble is reported, verify power is being supplied to the unit and there are no broken connections. If a spare unit is available, substitute a spare unit for the suspected defective unit.

Assistance in troubleshooting is available from the factory. Call (540) 563-2000 and press 1 for Technical Support or via email at support@valcom.com.

When requesting assistance, you should include all available information. General information and troubleshooting procedures are available on the Valcom website at www.valcom.com.

Valcom equipment is not field repairable. Valcom, Inc. maintains service facilities in Roanoke, VA. Should repairs be necessary, attach a tag to the unit clearly stating your company name, address, phone number, contact person and the nature of the problem. Send the unit to:

**Valcom, Inc.
Repair & Return Dept.
5614 Hollins Road
Roanoke, Va. 24019-5056**

VALCOM LIMITED WARRANTY

Valcom, Inc. warrants its products only to the original purchaser, for its own use, to be free from defects in materials and workmanship under conditions of normal use and service for a period of one year from the date of shipment. This Limited Warranty obligation shall be limited to the replacement, repair or refund of any such defective device within the warranty period, provided that:

1. inspection by Valcom, Inc. indicates the validity of the claim;
2. the defect is not the result of damage, misuse or negligence after the original shipment;
3. the product has not been altered in any way or repaired by others and that factory sealed units are unopened (a service charge plus parts and labor will be applied to units defaced or physically damaged);
4. freight charges for the return of products to Valcom are prepaid;
5. all units 'out of warranty' are subject to a service charge. The service charge will cover minor repairs (major repairs will be subject to additional charges for parts and labor).

This Limited Warranty is in lieu of and excludes all other warranties, expressed or implied and in no event shall Valcom, Inc. be liable for any anticipated profits, consequential damages, loss of time or other losses incurred by the buyer in connection with the purchase, operation, maintenance, installation, removal or use of the product. The maximum liability of Valcom under this warranty is limited to the purchase price of the specific Product covered by the warranty.

Disclaimer. Except for the Limited Warranty provided herein, the product is provided "as-is" without any warranty of any kind whatsoever including, without limitation, any **WARRANTY OF MERCHANTABILITY, FITNESS FOR A PARTICULAR PURPOSE OR NON-INFRINGEMENT.**

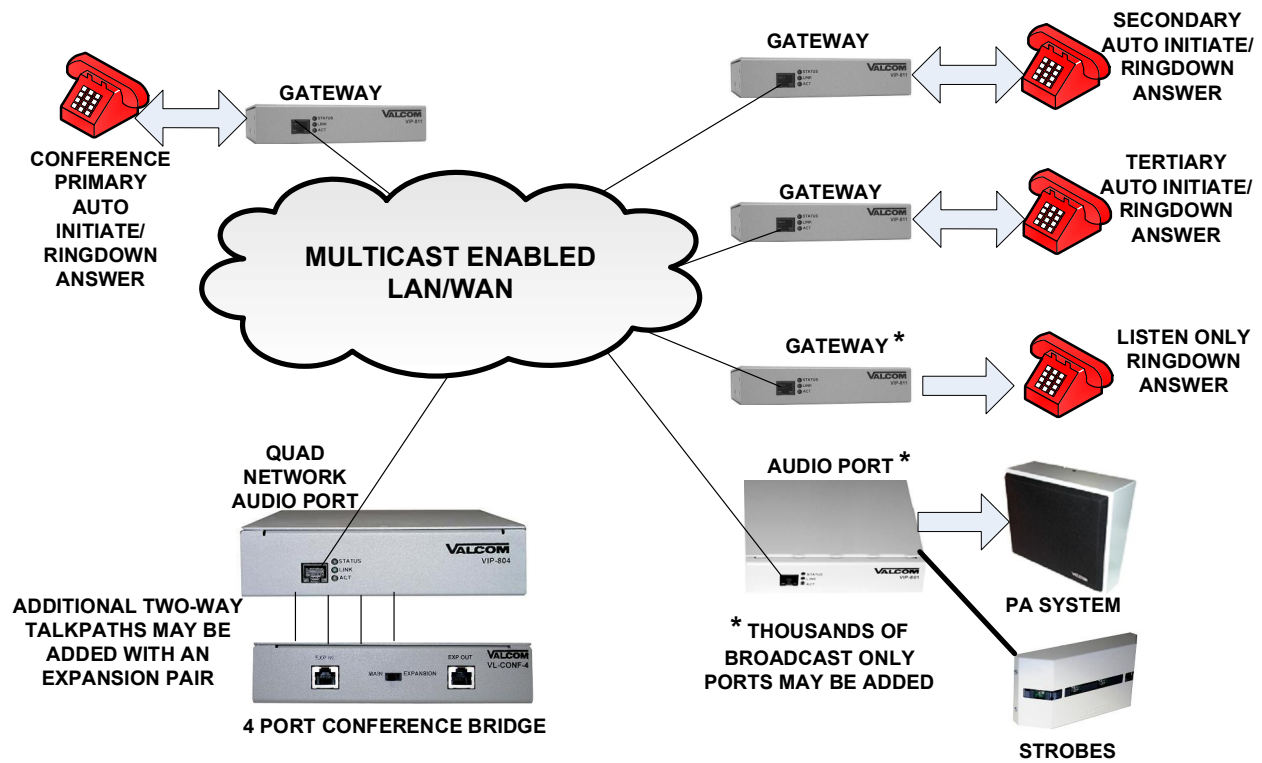
This warranty specifically excludes damage incurred in shipment. In the event a product is received in damaged condition, the carrier should be notified immediately. Claims for such damage should be filed with the carrier involved in accordance with the F.O.B. point.

Headquarters:

Valcom, Inc.

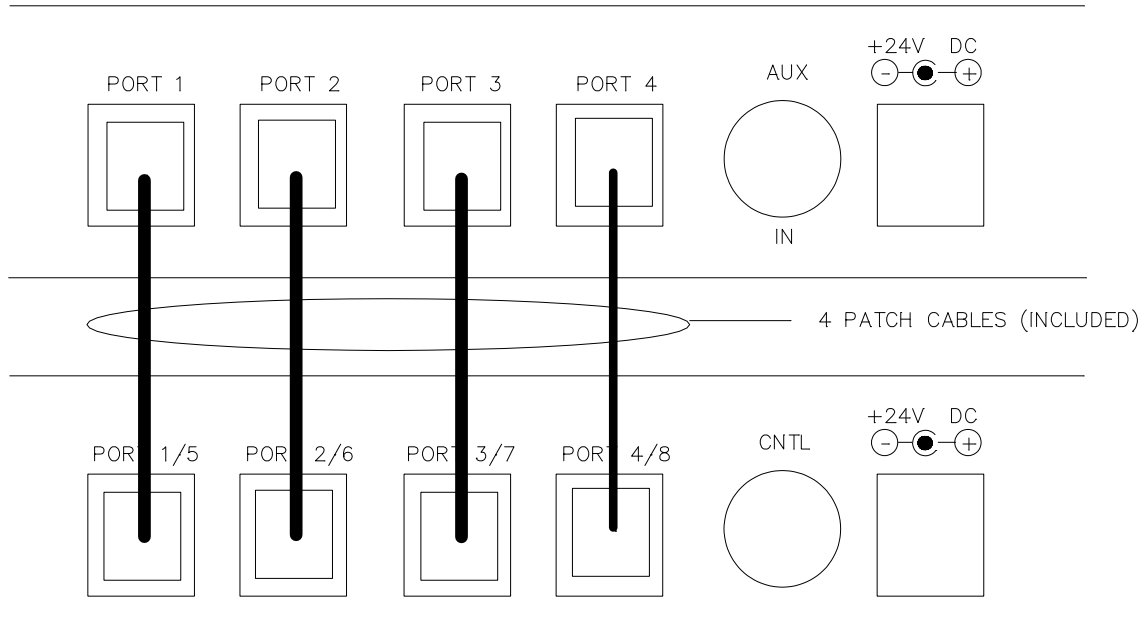
5614 Hollins Road Roanoke, VA 24019-5056

Phone: (540) 563-2000 FAX: (540) 362-9800



TYPICAL CONFERENCE BRIDGE DESIGN

VIP-804 REAR VIEW



VL-CONF-4 REAR VIEW

Figure 3: Four Port Conference Bridge Connections

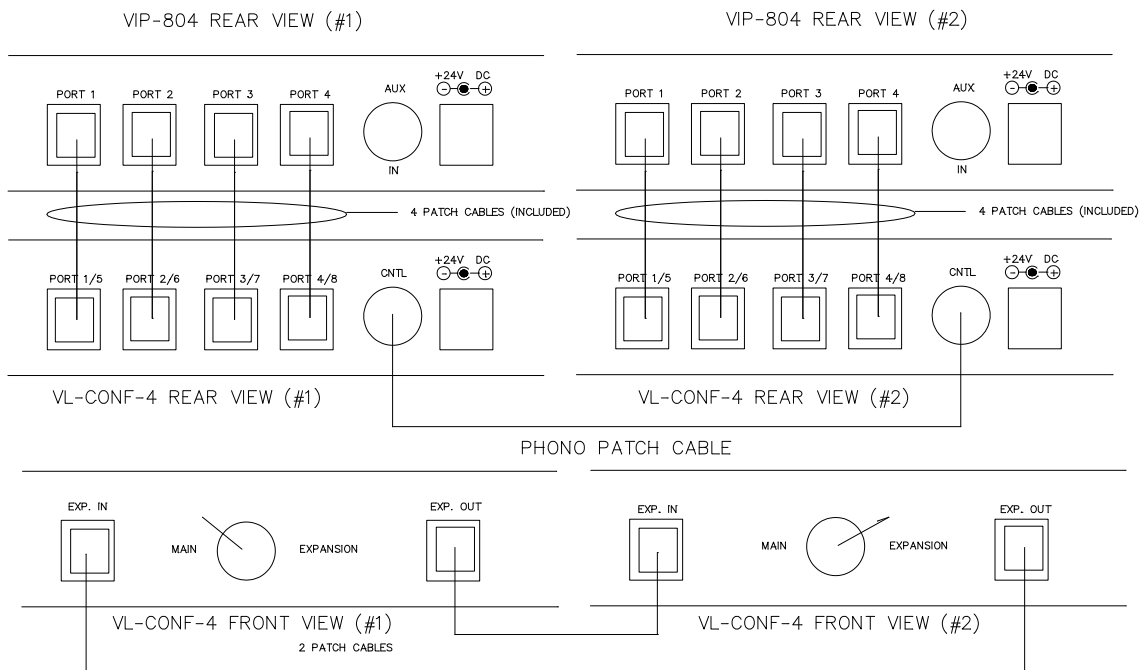
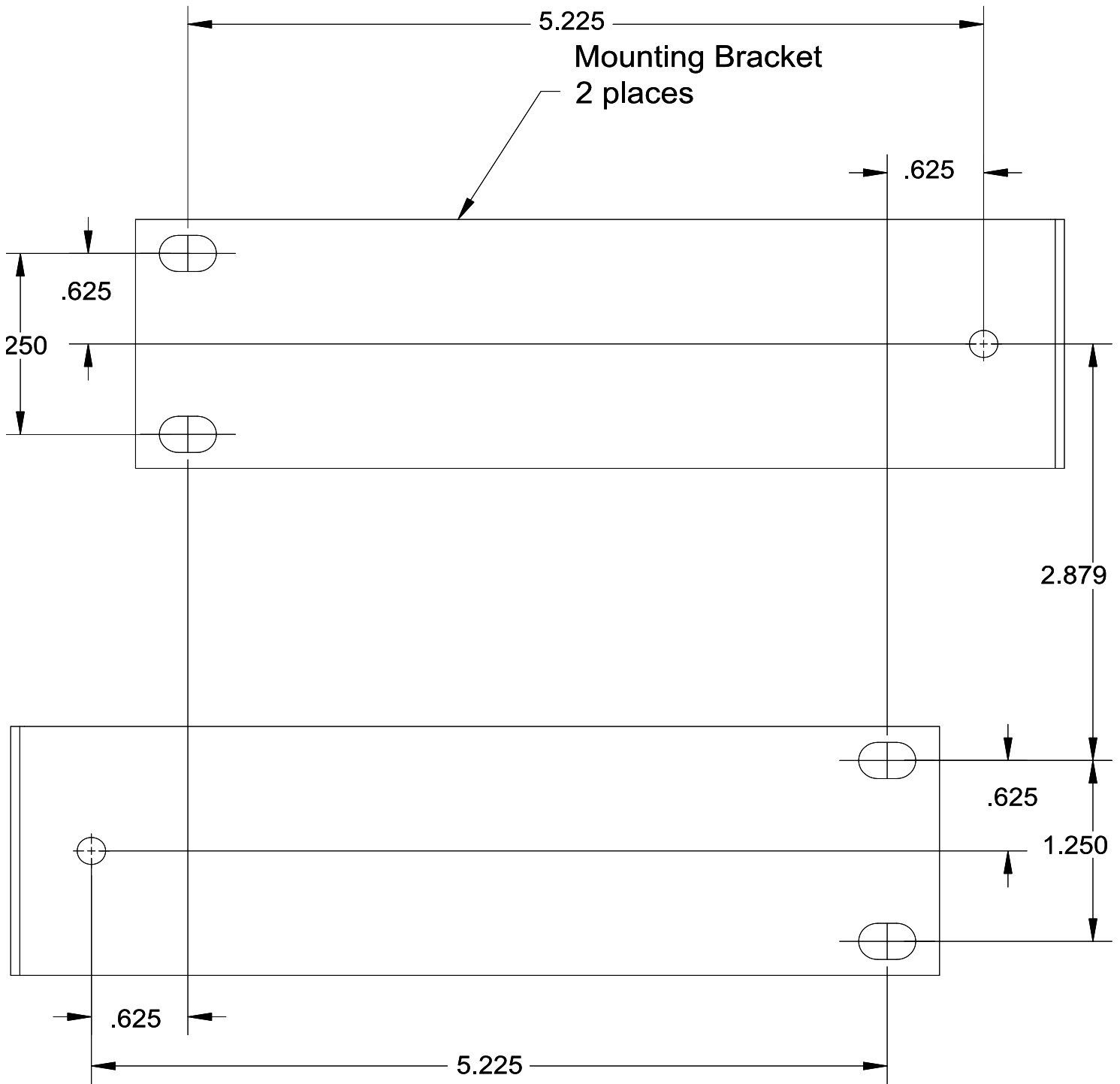


Figure 4: Eight Port Conference Bridge Connections



Place template in area where unit is to be mounted and mark. Install 2 mounting brackets to wall using 6 #8 wood screw x 3/4 long at center mark as shown. Check fit of unit between mounting brackets. When okay, install unit to the mounting brackets using 4 of #8 x 3/8 screw.

Mounting Unit to Wall Template